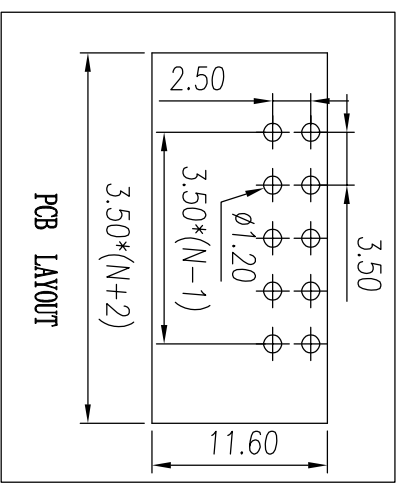
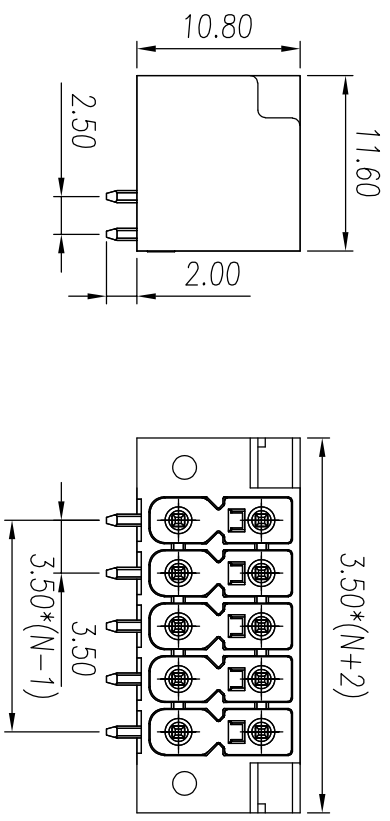
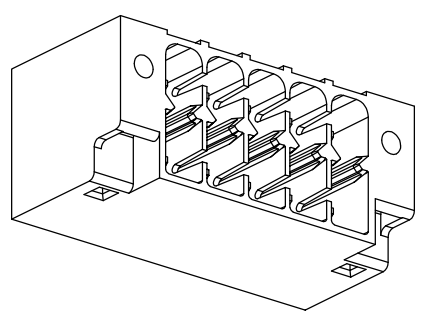


REV	ECN	SIGN	DATE	DESCRIPTION
1.0	V0	K. ZHAO	08/23/2021	



NOTES:
1. UL Standard

Application	B	C	D
Rate voltage(V)	300	/	300
Rate current(A)	8	/	8
Rate impulse voltage(KV)	1.6		

2. IEC Standard

Pollution degree	2	2	3
Over voltage category	II	III	III
Rate impulse voltage(KV)	2.5	2.5	2.5
Rate voltage(V)	250	160	160
Rate current(A)	8		

- 3. Pitch : 3.5 mm
- 4. Operating temperature: -40°C~+105°C
- 5. RoHS Compliance
- 6. Material: Housing LCP, UL94V-0
Pin copper alloy, Sn plated

CYE217RM - 350 - XXP - 1YY - 000A

Series No Pitch Poles Single Pitch Standard

Color: 1Y, white
2Y, black
3Y, grey
4Y, green
5Y, blue
6Y, yellow
7Y, transparent
8Y, brown

Remark: This drawing is a controlled document for Cymann. All specifications are subject to change without prior notice.

tolerance	linear dimension						≡	—	□	//	⊥
	over 10 to	over 18 to	over 30 to	over 50 to	over 80 to	over 120 to					
±0.15	±0.25	±0.35	±0.45	±0.60	±0.75	±0.90	0.5	0.025	0.06	0.12	0.4

SIZE: A4	SCALE: 2 : 1	DRAWN: K. ZHAO	CHECKED: C. LU	DATE: 08/23/2021	PART NO: CYE217RM-350-XXP-1YY-000A
UNIT: mm	SHEET: 1 / 1	APPROVED: H. JIANG	DATE: 08/23/2021	TITLE: Plug in connector	CUSTOMER:

Cymann 矽宇電子

NINGBO CHANGYU ELECTRONICS MANUFACTURING CO., LTD
Email: sales@cymann.com WWW.CYMANNU.COM