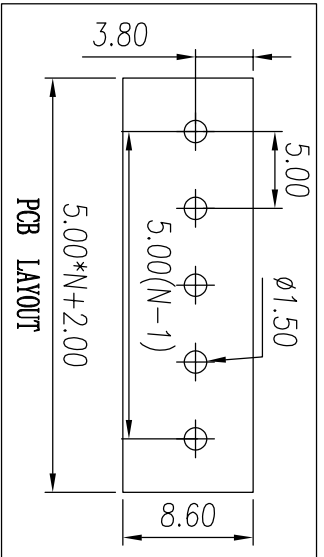


REV	ECN	SIGN	DATE	DESCRIPTION
1.0	V0	K. ZHAO	05/25/2021	



NOTES:  
1. UL Standard

Application	B	C	D
Rate voltage(V)	300	/	300
Rate current(A)	12	/	10
Rate impulse voltage(KV)	1.6		

2. IEC Standard

Pollution degree	2	2	3
Overvoltage category	II	III	III
Rate impulse voltage(KV)	4	4	4
Rate voltage(V)	320	320	250
Rate current(A)	15		

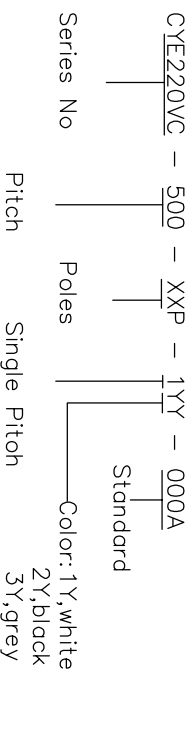
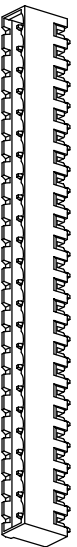
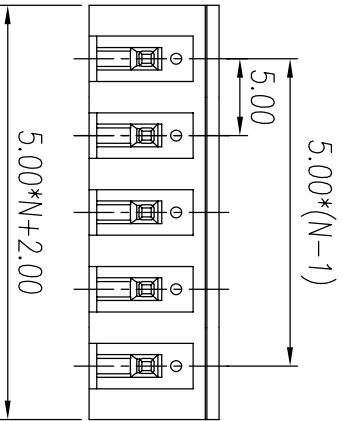
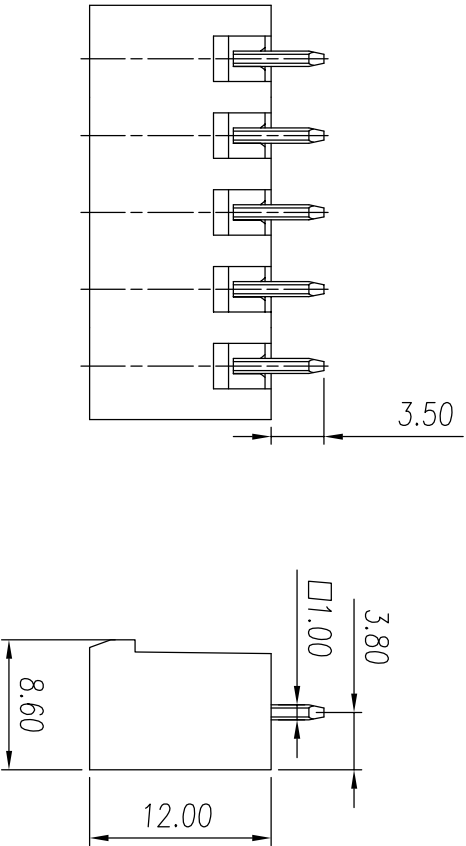
3. Pitch : 5.0 mm

4. Operating temperature: -40°C~+105°C

5. RoHS Compliance

6. Material: Housing PA66, UL94V-0

Pin copper alloy, Sn plated



Remark: This drawing is a controlled document for Cymann. All specifications are subject to change without prior notice.

SIZE	SCALE	CHECKED	DATE	PART NO.	TITLE
A4	2 : 1	C. LU	05/25/2021	CYE220VC-500-XXP-1YY-000A	Plug in connector
UNIT: mm	SHEET	APPROVED	DATE	CUSTOMER	
mm	1 / 1	H. JIANG	05/25/2021		

**Cymannu** 嚒字電子  
NINGBO CHANGTU ELECTRONICS MANUFACTURING CO., LTD  
Email: sales@cymannu.com WWW.CYMANNU.COM

linear dimension	≡	□	//	⊥								
tolerance	±0.15	±0.25	±0.35	±0.45	±0.60	±0.75	±0.90	0.5	0.025	0.06	0.12	0.4
variable range	to 10	over 18 to 30	over 30 to 50	over 50 to 80	over 80 to 120	over 120 to 160	over 160 to 200	all	to 5	over 5 to 30	over 30 to 120	over 120 to