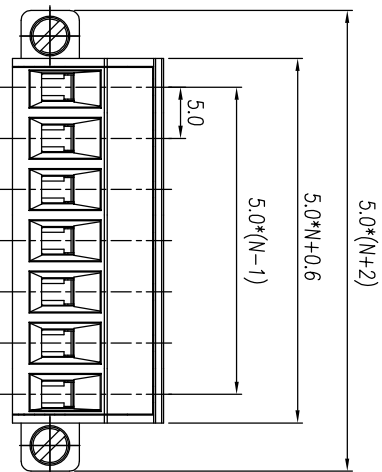
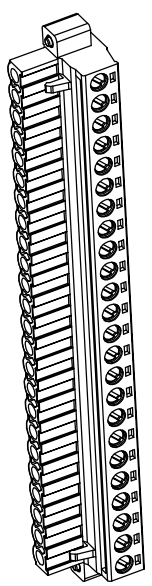
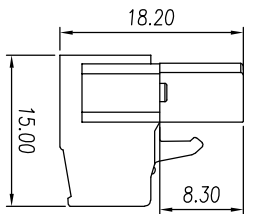
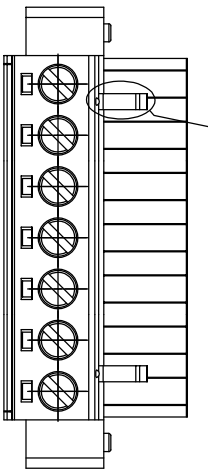


REV	ECN	SIGN	DATE	DESCRIPTION
1.0	V0	K. ZHAO	05/21/2021	



2P: Clasp is on the left from this view



NOTES:
1. UL Standard

Application	B	C	D
Rate voltage(V)	300	/	300
Rate current(A)	12	/	10
Rate impulse voltage(KV)	1.6		

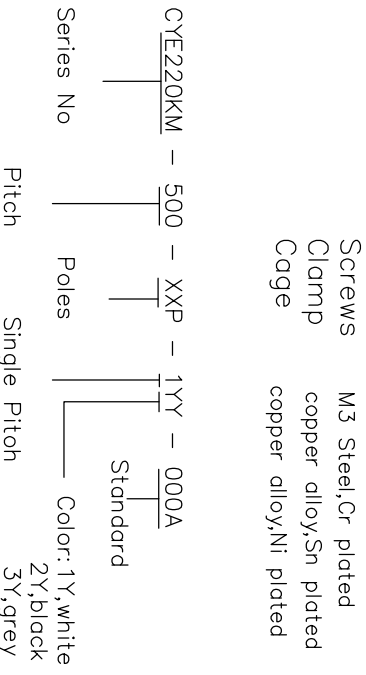
Wire range : 26 ~ 12 AWG

2. IEC Standard

Pollution degree	2	2	3
Overvoltage category	II	III	III
Rate impulse voltage(KV)	4	4	4
Rate voltage(V)	320	320	250
Rate current(A)	15		

Wire range : 0.5 ~ 2.5 mm²

- Torque: 0.5N.m(4.43 Lb.in)
- Pitch : 5.0 mm, Poles : N=02~24P
- Stripping length : 7 ~ 8 mm
- Operating temperature: -40°C~+105°C
- RoHS Compliance
- Material: Housing PA66,UL94V-0
- Screws M3 Steel,Cr plated
- Clamp copper alloy,Sn plated
- Cage copper alloy,Ni plated



Remark: This drawing is a controlled document for Cymann. All specifications are subject to change without prior notice.

linear dimension	≡	—	□	//	⊥							
tolerance	±0.15	±0.25	±0.35	±0.45	±0.60	±0.75	±0.90	0.5	0.025	0.06	0.12	0.4
variable range	to 10	over 18 to 30	over 30 to 50	over 50 to 80	over 80 to 120	over 120 to 160	over 160 to 200	all	to 5	over 5 to 30	over 30 to 120	over 120 to

 SIZE: A4 SCALE: 4 : 3 SHEET: 1 / 1	DRAWN: K. ZHAO CHECKED: C. LU APPROVED: H. JIANG DATE: 05/21/2021	PART NO.: CYE220KM-500-XXP-1YY-000A TITLE: Plug in connector CUSTOMER:	 Cymann 囍字電子 NINGBO CHANGTU ELECTRONICS MANUFACTURING CO., LTD Email: sales@cymann.com WWW.CYMANNU.COM
--	--	--	---