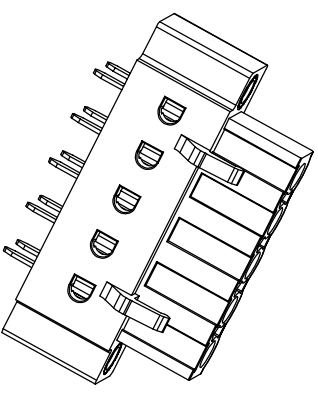
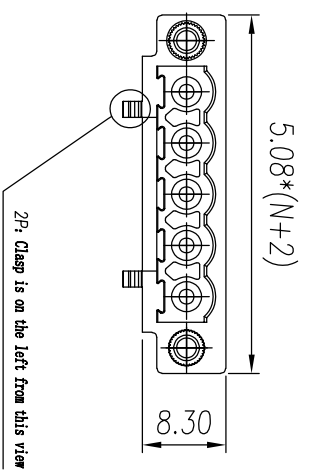
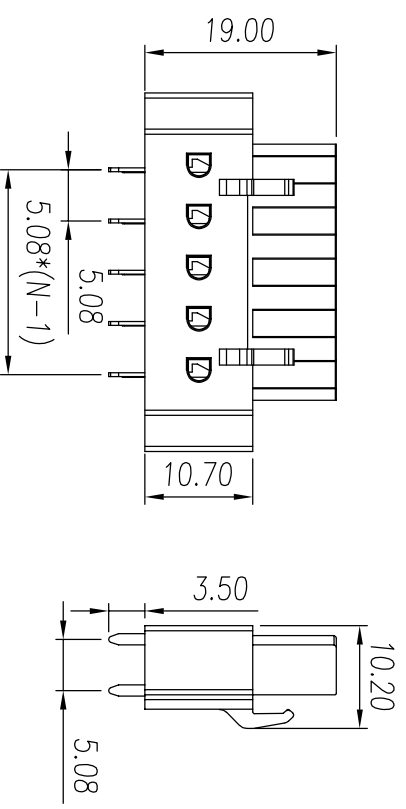
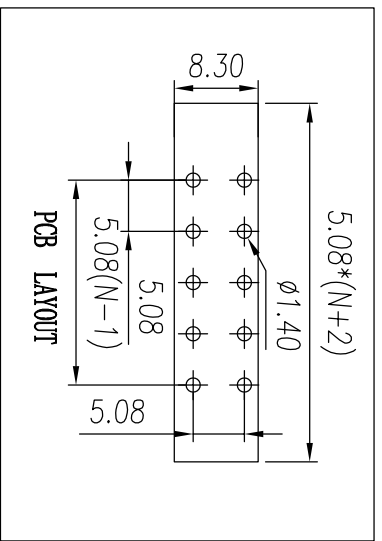


REV	ECN	SIGN	DATE	DESCRIPTION
1.0	V0	K. ZHAO	07/12/2021	



NOTES:
1. UL Standard

Application	B	C	D
Rate voltage(V)	300	/	300
Rate current(A)	15	/	15
Rate impulse voltage(KV)	1.6		

2. IEC Standard

Pollution degree	2	2	3
Overvoltage category	II	III	III
Rate impulse voltage(KV)	4	4	4
Rate voltage(V)	630	320	320
Rate current(A)	20		

- 3. Pitch : 5.08 mm
- 4. Operating temperature: -40°C~+105°C
- 5. RoHS Compliance
- 6. Material: Housing PA66,UL94V-0
Pin copper alloy,Sn plated

CYE223VM - 508 - XXP - 1YY - 000A
Series No Poles Standard

Pitch Single Pitch Color: 1Y, white
2Y, black
3Y, grey
4Y, green
5Y, blue
6Y, yellow
7Y, transparent
8Y, brown

tolerance	±0.15	±0.25	±0.35	±0.45	±0.60	±0.75	±0.90	0.5	0.025	0.06	0.12	0.4
linear dimension	over 18 to 30	over 30 to 50	over 50 to 80	over 80 to 120	over 120 to 160	over 160 to 200	all	to 5	over 5 to 30	over 30 to 120	over 120 to	
variable range	to 10											

SIZE: A4	SCALE: 4:3	CHECKED: C. LU	DATE: 07/12/2021	DRAWN: K. ZHAO	DATE: 07/12/2021
UNIT: mm	SHEET: 1/1	APPROVED: H. JIANG	DATE: 07/12/2021		

Remark: This drawing is a controlled document for Cymannu. All specifications are subject to change without prior notice.

NINGBO CHANGYU ELECTRONICS MANUFACTURING CO., LTD
 Email: sales@cymannu.com WWW.CYMANNU.COM