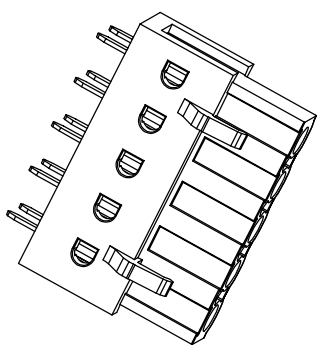
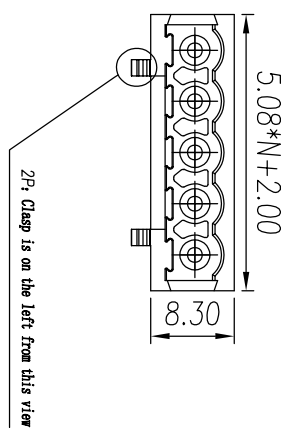
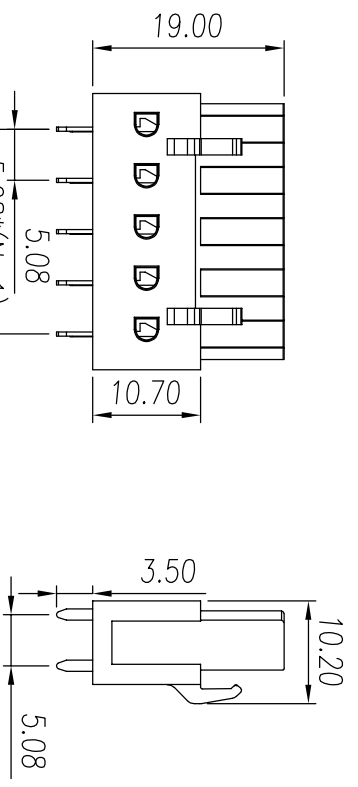
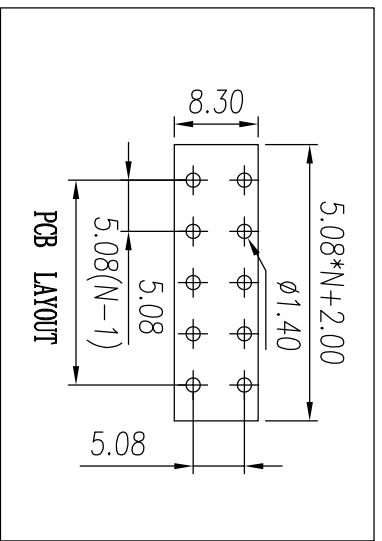


REV	ECN	SIGN	DATE	DESCRIPTION
1.0	V0	K. ZHAO	07/12/2021	



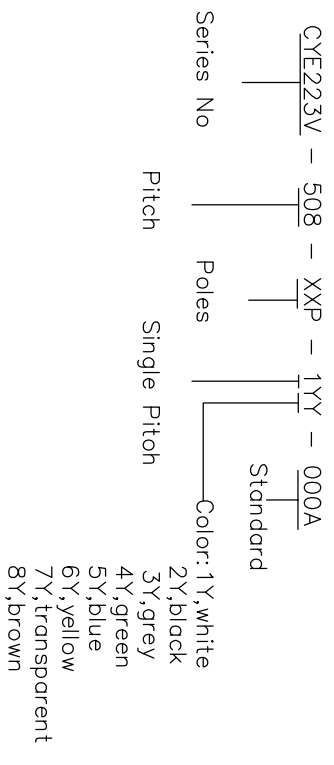
NOTES:
1. UL Standard

Application	B	C	D
Rate voltage(V)	300	/	300
Rate current(A)	15	/	15
Rate impulse voltage(KV)	1.6		

2. IEC Standard

Pollution degree	2	2	3
Overvoltage category	II	III	III
Rate impulse voltage(KV)	4	4	4
Rate voltage(V)	630	320	320
Rate current(A)	20		

- 3. Pitch : 5.08 mm
- 4. Operating temperature: -40°C~+105°C
- 5. RoHS Compliance
- 6. Material: Housing PA66,UL94V-0
Pin copper alloy,Sn plated



linear dimension

≡	—	□	//	⊥
---	---	---	----	---

tolerance	±0.15	±0.25	±0.35	±0.45	±0.60	±0.75	±0.90	0.5	0.025	0.06	0.12	0.4
variable range	to 10	over 18 to 30	over 30 to 50	over 50 to 80	over 80 to 120	over 120 to 160	over 160 to 200	all	to 5	over 5 to 30	over 30 to 120	over 120 to

Remark: This drawing is a controlled document for Cymann. All specifications are subject to change without prior notice.

SIZE: A4	SCALE: 4:3	DRAWN: K. ZHAO	CHECKED: C. LU	APPROVED: H. JIANG	DATE: 07/12/2021	DATE: 07/12/2021	DATE: 07/12/2021
UNIT: mm	SHEET: 1/1	PART NO: CYE223V-508-XXP-1YY-000A		TITLE: Plug in connector		CUSTOMER:	

Cymannu 囍字電子

NINGBO CHANGYU ELECTRONICS MANUFACTURING CO., LTD

Email: sales@cymannu.com WWW.CYMANNU.COM