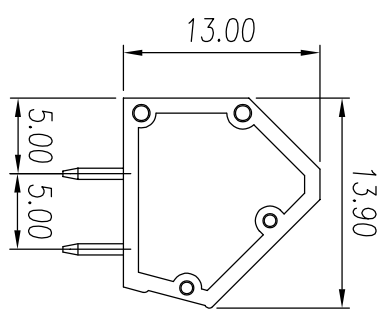
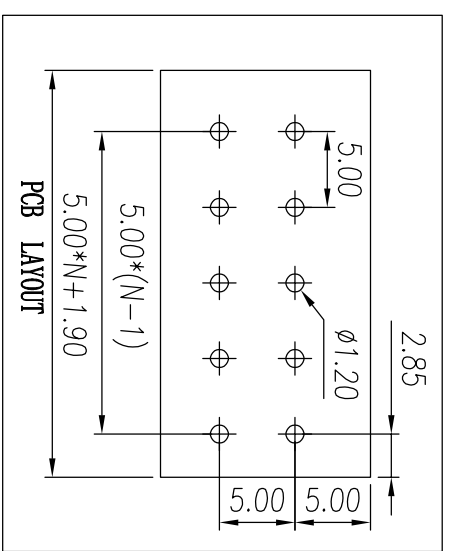
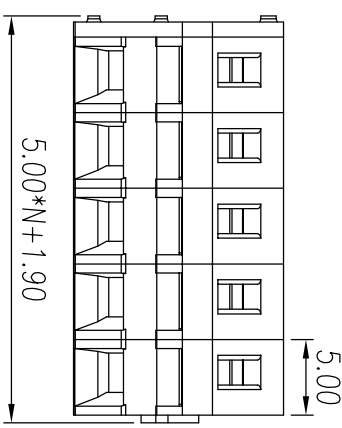
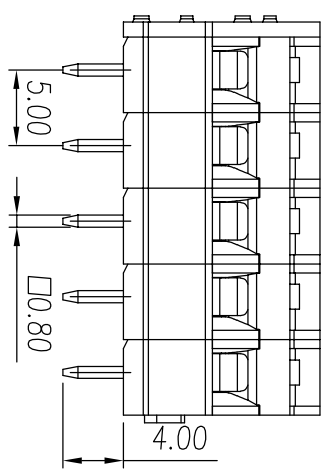
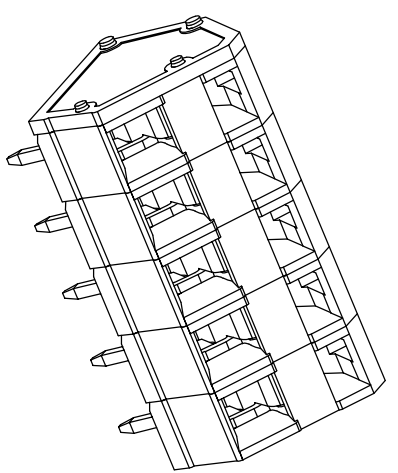


REV	ECN	SIGN	DATE	DESCRIPTION
1.0	V0	K. ZHAO	08/18/2021	



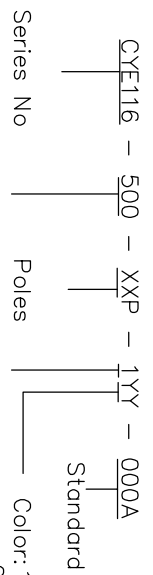
NOTES:
1. UL Standard

Application	B	C	D
Rate voltage(V)	300	/	300
Rate current(A)	15	/	10
Rate impulse voltage(KV)	1.6		

Wire range : 26 ~ 12 AWG
2. IEC Standard

Pollution degree	2	2	3
Overvoltage category	II	III	III
Rate impulse voltage(KV)	4.0	4.0	4.0
Rate voltage(V)	630	320	250
Rate current(A)	20		

- Wire range : 0.2 ~ 2.5 mm²
- 3. Pitch : 5.0 mm, Poles : N = 01 ~ 32 P
- 4. Stripping length : 6 ~ 7 mm
- 5. Operating temperature: -40°C ~ +105°C
- 6. RoHS Compliance
- 7. Material: Housing PA66, UL94V-0
Pin copper alloy, Sn plated



- Color: 1Y, white
2Y, black
3Y, grey
4Y, green
5Y, blue
6Y, yellow
7Y, transparent
8Y, brown

Remark: This drawing is a controlled document for Cymannu. All specifications are subject to change without prior notice.

linear dimension	≡	—	□	//	⊥
over 18 to 30	over 30 to 50	over 50 to 80	over 80 to 120	over 120 to 160	over 160 to 200
tolerance ±0.15	±0.25	±0.35	±0.45	±0.60	±0.75
all	to 5	to 5	to 30	to 30	to 120
0.5	0.025	0.06	0.12	0.4	

SIZE:	SCALE:	CHECKED:	DATE:	DATE:	DATE:
A4	2 : 1	C. LU	08/18/2021	08/18/2021	08/18/2021
UNIT: mm	SHEET: 1 / 1	APPROVED: H. JIANG			

NINGBO CHANGYU ELECTRONICS MANUFACTURING CO., LTD
 Email: sales@cymannu.com
 WWW.CYMANNU.COM