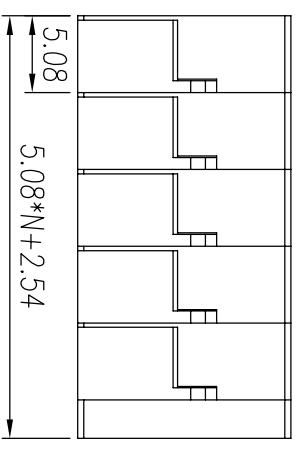
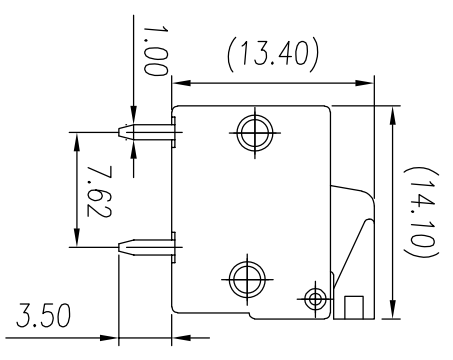
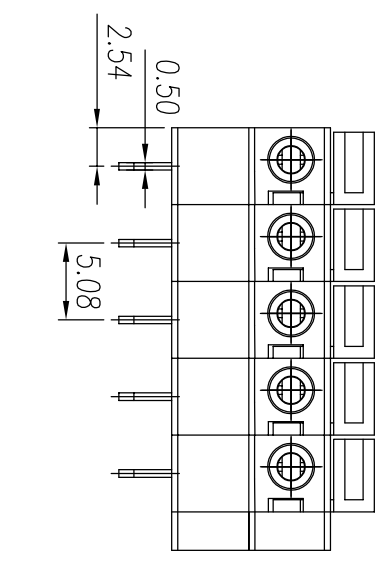
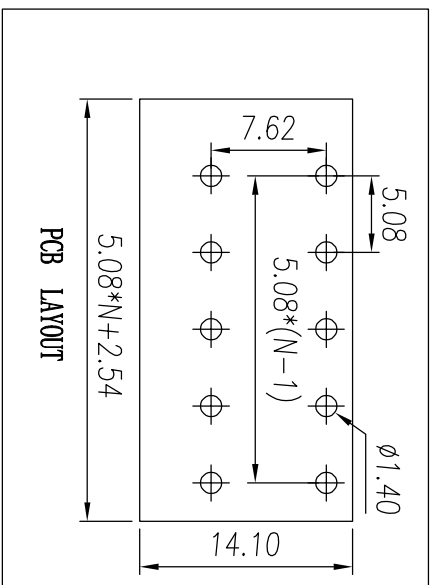
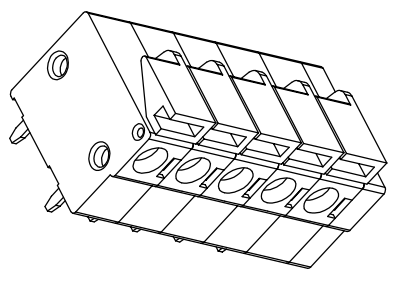


REV	ECN	SIGN	DATE	DESCRIPTION
1.0	V0	K. ZHAO	08/20/2021	



linear dimension	tolerance
over 18 to 30	±0.15
over 30 to 50	±0.25
over 50 to 80	±0.35
over 80 to 120	±0.45
over 120 to 160	±0.60
over 160 to 200	±0.75
all	±0.90
to 5	0.5
to 5 to 30	0.025
to 30 to 120	0.06
to 120	0.12
	0.4

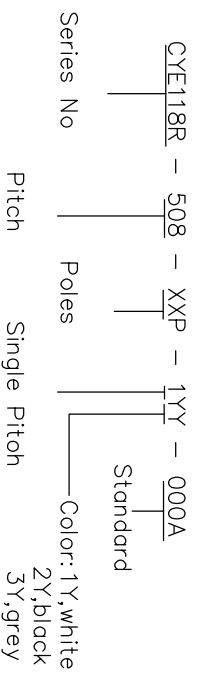
NOTES:  
1. UL Standard

Application	B	C	D
Rate voltage(V)	300	/	300
Rate current(A)	10	/	10
Rate impulse voltage(KV)	1.6		

Wire range : 26 ~ 14 AWG  
2. IEC Standard

Pollution degree	2	2	3
Overvoltage category	II	III	III
Rate impulse voltage(KV)	4.0	4.0	4.0
Rate voltage(V)	630	320	320
Rate current(A)	15		

- Wire range : 0.2 ~ 1.5 mm<sup>2</sup>
- 3. Pitch : 5.08 mm, Poles : N = 01 ~ 32 P
- 4. Stripping length : 10 ~ 11mm
- 5. Operating temperature: -40°C ~ +105°C
- 6. RoHS Compliance
- 7. Material: Housing Pin PA66, UL94V-0 copper alloy, Sn plated



- Color: 1Y, white
- 2Y, black
- 3Y, grey
- 4Y, green
- 5Y, blue
- 6Y, yellow
- 7Y, transparent
- 8Y, brown

Remark: This drawing is a controlled document for Cymannu. All specifications are subject to change without prior notice.

SIZE:	SCALE:	CHECKED:	APPROVED:
A4	2 : 1	C. LU	H. JIANG

DATE:	DATE:	DATE:
08/20/2021	08/20/2021	08/20/2021

**Cymannu** 囍字電子  
NINGBO CHANGYU ELECTRONICS MANUFACTURING CO., LTD  
Email: sales@cymannu.com WWW.CYMANNU.COM