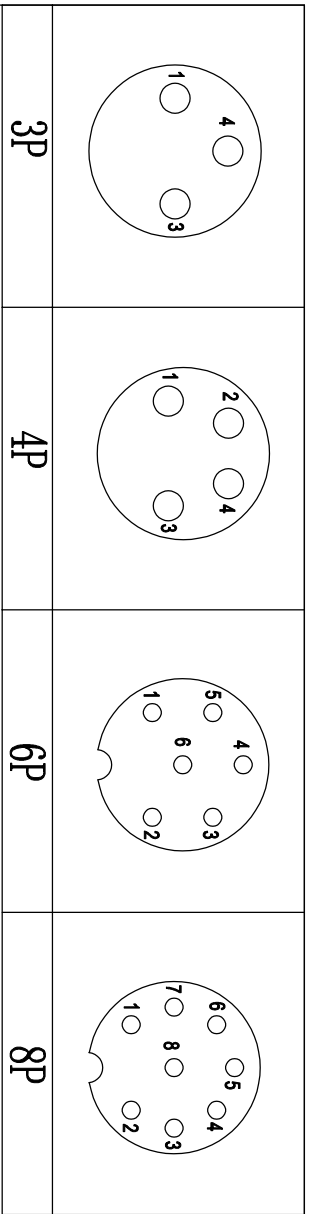


REV	ECN	SIGN	DATE	DESCRIPTION
1.0	V0	K. ZHAO	10/21/2021	/



Pin Assignments

- NOTES:
1. RoHS Compliant
  2. Levels of protection: IP67
  3. Installation mode: Solder
  4. Operating temperature: -40 °C~105 °C
  5. Connector tolerances:

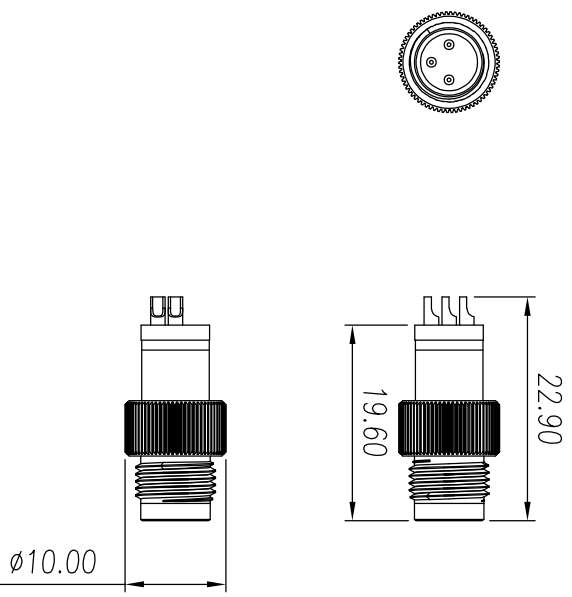
Variable range	linear dimension											
	over 18 to 30	over 30 to 50	over 50 to 80	over 80 to 120	over 120 to 160	over 160 to 180	all	to 5	over 5 to 30	over 30 to 120		
tolerance	±0.15	±0.25	±0.35	±0.55	±0.80	±1.05	±1.30	0.5	0.025	0.06	0.12	0.4

5PM-M8A - XXP - MM-SL7000 - 00AH

Standard

Coding: A,B

Poles



Remark: This drawing is a controlled document for Cymannu. All specifications are subject to change without prior notice.

SIZE: A4	SCALE: 4 : 3	CHECKED: C. LU	DATE: 10/21/2021	PART NO.: SPM-M8A-XXP-MM-SL7000-00AH	
UNIT: mm	SHEET: 1 / 1	APPROVED: H. JIANG	DATE: 10/21/2021	TITLE: M8A male, Plug Solde	

NINGBO CHANGVU ELECTRONICS MANUFACTURING CO., LTD  
Email: sales@cymannu.com WWW.CYMANNU.COM