

REV	ECN	SIGN	DATE	DESCRIPTION
1.0	V0	K. ZHAO	10/21/2021	/

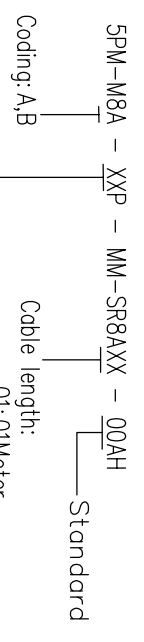
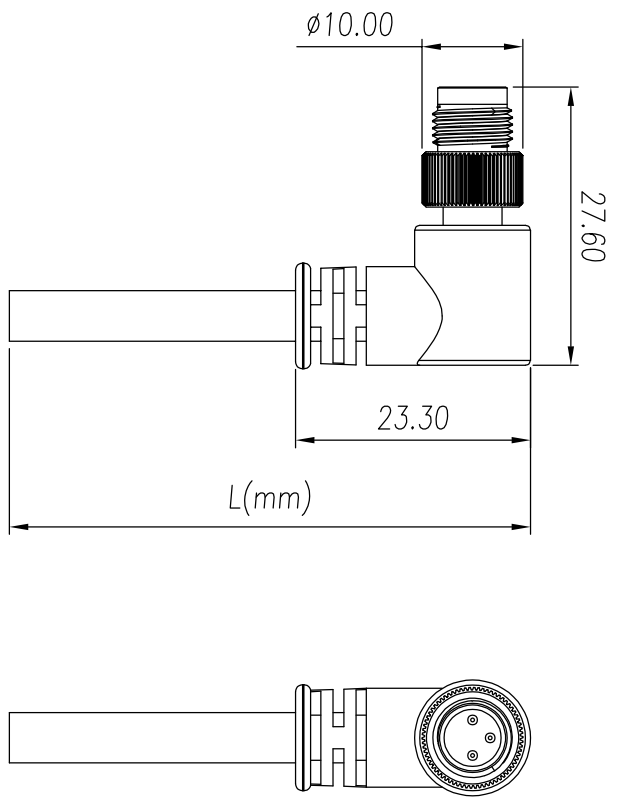
NOTES:

1. RoHS Compliant
2. Levels of protection: IP68
3. Cable: UL2517,PVC/PUR,Black
4. Operating temperature: -25℃~85℃
5. Connector tolerances:

linear dimension	≡		□		∥		⊥		
	over	under	over	under	over	under	over	under	
variable range	18 to 10	30 to 30	50 to 50	80 to 80	120 to 120	160 to 160	all to 5	over 5 to 30	over 30 to 120
tolerance	±0.15	±0.25	±0.35	±0.55	±0.80	±1.05	±1.30	0.025	0.06 0.12 0.4

6. Cable length tolerance:

- 01~03m: ±50mm
- 04~06m: ±75mm
- 07~10m: ±100mm
- 11~20m: ±200mm
- 21~30m: ±300mm
- 31~99m: ±500mm



99: 99Meters

Remark: This drawing is a controlled document for Cymannu. All specifications are subject to change without prior notice.

SIZE: A4	SCALE: 4:3	CHECKED: C. LU	DATE: 10/21/2021
UNIT: mm	SHEET: 1/2	APPROVED: H. JIANG	DATE: 10/21/2021

PART NO: SPM-M8A-XXP-MM-SR8AXX-00AH
TITLE: M8A male, Plug
CUSTOMER: /

**Cymannu** 囍字电子  
 NINGBO CHANGTU ELECTRONICS MANUFACTURING CO., LTD  
 Email: sales@cymannu.com WWW.CYMANNU.COM

