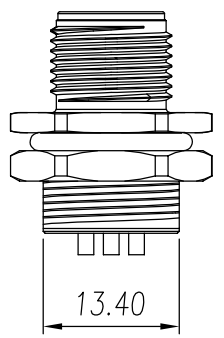
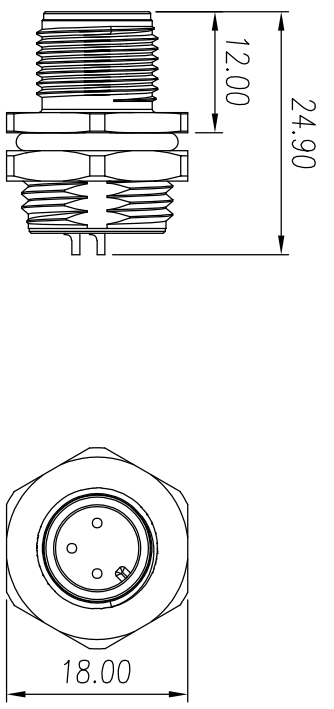


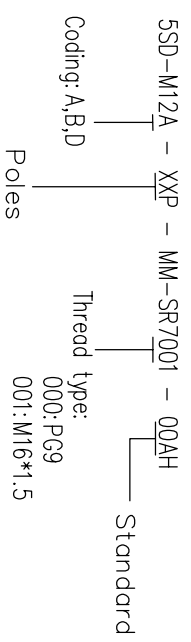
REV	ECN	SIGN	DATE	DESCRIPTION
1.0	V0	K. ZHAO	08/30/2021	



NOTES:

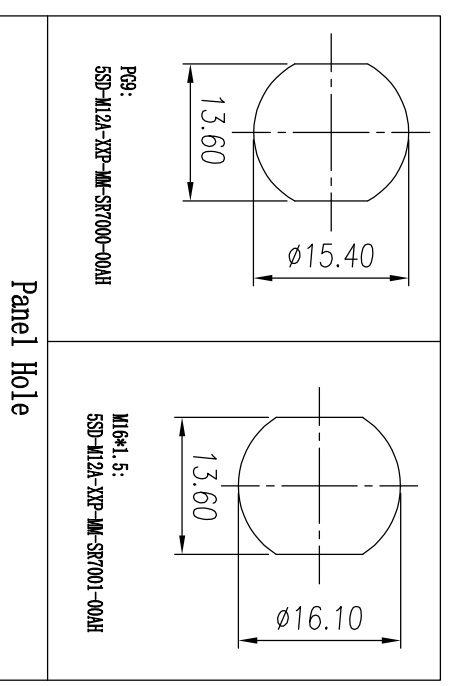
1. RoHS Compliant
 2. Levels of protection: IP67
 3. Installation mode: Solder, Front fastened
 4. Operating temperature: -40°C~105°C
 5. Applicable Panel: Panel Hole
- For Panel Thickness Max: 4.5mm

variable range	linear dimension									
	over to	over to	over to	over to	over to	over to	over to	over to	over to	over to
10	18 to 30	30 to 50	50 to 80	80 to 120	120 to 160	160 to 200	200 to 250	250 to 300	300 to 350	350 to 400
tolerance	±0.15	±0.25	±0.35	±0.55	±0.80	±1.05	±1.30	0.5	0.025	0.06 0.12 0.4



Pin Assignments

3P		4P		5P	
6P		8P		10P	
				12P	



Remark: This drawing is a controlled document for Cymannu. All specifications are subject to change without prior notice.

SIZE: A4	SCALE: 4 : 3	CHECKED: C. LU	DATE: 08/30/2021	PART NO.: SSSD-M12A-XXP-MM-SR7001-00AH	TITLE: M12A male Back Fastened Socket
UNIT: mm	SHEET: 1 / 1	APPROVED: H. JIANG	DATE: 08/30/2021	CUSTOMER:	

