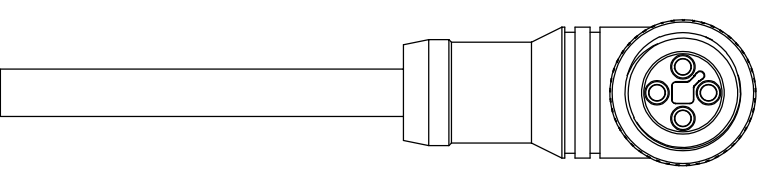
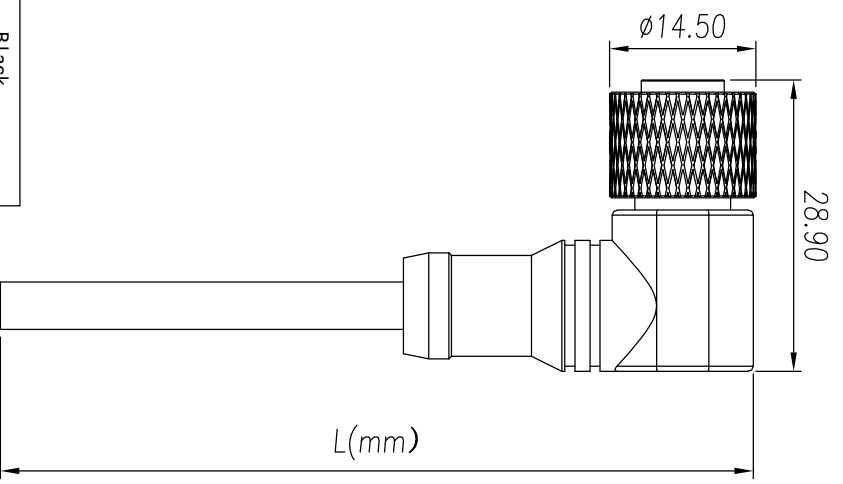


REV	ECN	SIGN	DATE	DESCRIPTION
1.0	V0	K. ZHAO	09/12/2021	



NOTES:

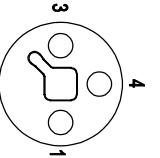
1. RoHS Compliant
2. Levels of protection: IP68
3. Cable: UL2517,PVC/PUR,Black
4. Operating temperature: $-25^{\circ}\text{C}\sim 85^{\circ}\text{C}$
5. Connector tolerances:

		linear dimension										=	-	∇	//	\perp
variable range	to	over 18	over 30	over 50	over 80	over 120	over 160	all	to 5	over 30	over 120	to				
	10	to 30	to 50	to 80	to 120	to 160		to 5	to 30	to 120	to					
tolerance	± 0.15	± 0.25	± 0.35	± 0.55	± 0.80	± 1.05	± 1.30	0.5	0.025	0.06	0.12	0.4				

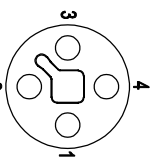
6. Cable length tolerance:

- 01~03m: $\pm 50\text{mm}$
- 04~06m: $\pm 75\text{mm}$
- 07~10m: $\pm 100\text{mm}$
- 11~20m: $\pm 200\text{mm}$
- 21~30m: $\pm 300\text{mm}$
- 31~99m: $\pm 500\text{mm}$

4	Black	4	Black
3	Blue	3	Blue
2		2	Whitr
1	Brown	1	Brown
PIN	WIRE	PIN	WIRE



3P



4P

Remark: This drawing is a controlled document for Cymanu. All specifications are subject to change without prior notice.

SIZE: A4	SCALE: 4 : 3	CHECKED: C. LU	DATE: 09/12/2021
UNIT: mm	SHEET: 1 / 1	APPROVED: H. JIANG	DATE: 09/12/2021

PARA. NO.:	5PM-M12T-XXP-FF-SR8AXX-00AH
TITLE:	M12T female, Plug
CUSTOMER:	

Cymanu 囍字電子

NINGBO CHANGYU ELECTRONICS MANUFACTURING CO., LTD

Email: sales@cymanu.com WWW.CYMANU.COM

