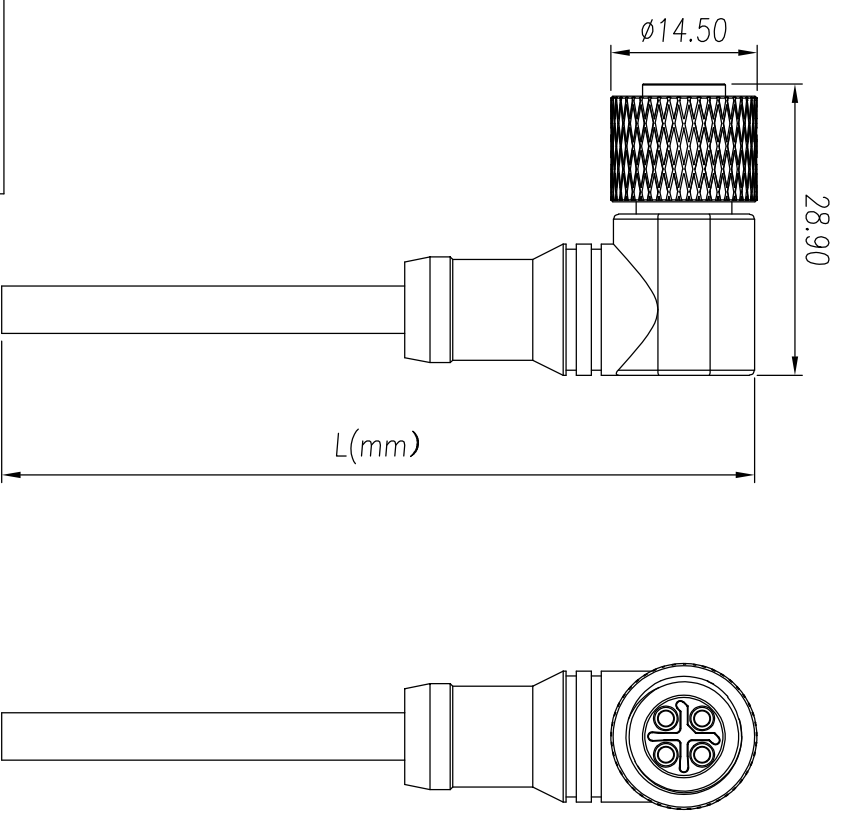


REV	ECN	SIGN	DATE	DESCRIPTION
1.0	V0	K. ZHAO	09/05/2021	



- NOTES:
1. RoHS Compliant
 2. Levels of protection: IP68
 3. Cable: UL2517,PVC/PUR,Black
 4. Operating temperature: -25℃~85℃
 5. Connector tolerances:

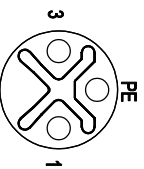
linear dimension	≡		□		//		⊥										
	over	tolerance	over	tolerance	over	tolerance	over	tolerance									
variable range	18 to 10	±0.15	30 to 30	±0.25	50 to 50	±0.35	80 to 80	±0.55	120 to 120	±1.00	160 to 160	±1.30	0.5	0.025	0.06	0.12	0.4

6. Cable length tolerance:

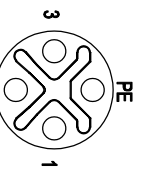
- 01~03m: ±50mm
- 04~06m: ±75mm
- 07~10m: ±100mm
- 11~20m: ±200mm
- 21~30m: ±300mm
- 31~99m: ±500mm

SFM-M12S - XXP - FF - SR8AXX - 00AH
 Coding: A,B,D,X,T
 Cable length: 01: 01Meter, 02: 02Meters, 99: 99Meters
 Poles

4	Yellow/Green	4	Yellow/Green
3	Black	3	Black
2	Black	2	Black
1	Black	1	Black
PIN	WIRE	PIN	WIRE



3P



4P

Remark: This drawing is a controlled document for Cymannu. All specifications are subject to change without prior notice.

SIZE: A4	SCALE: 4:3	CHECKED: C. LU	DATE: 09/05/2021
UNIT: mm	SHEET: 1/1	APPROVED: H. JIANG	DATE: 09/05/2021

PARAM: K. ZHAO	DATE: 09/05/2021	PART NO: SFM-M12S-XXP-FF-SR8AXX-00AH
TITLE: M12S female Plug	DATE: 09/05/2021	CUSTOMER:

Cymannu 囍字電子
 NINGBO CHANGYU ELECTRONICS MANUFACTURING CO., LTD
 Email: sales@cymannu.com WWW.CYMANNU.COM