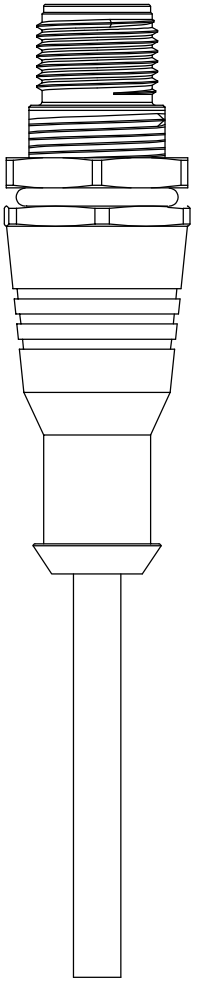
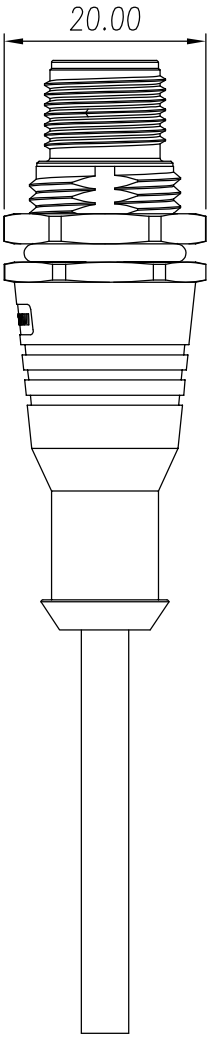
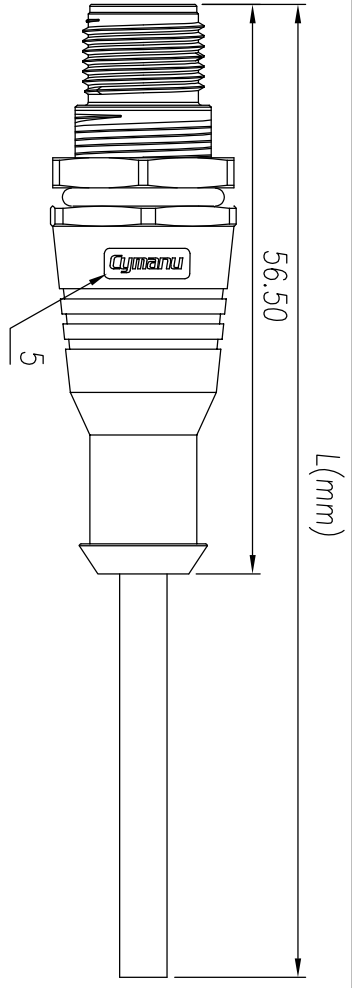
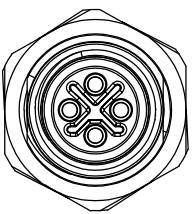
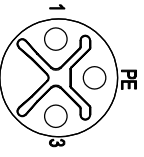


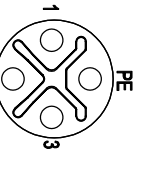
REV	ECN	SIGN	DATE	DESCRIPTION
1.0	V0	K. ZHAO	09/05/2021	



4	Yellow/Green	4	Yellow/Green
3	Black	3	Black
2		2	Black
1	Black	1	Black
PIN	WIRE	PIN	WIRE



3P



4P

- NOTES:
1. RoHS Compliant
 2. Levels of protection: IP68
 3. Cable: UL2517,PVC/PUR,Black
 4. Operating temperature: -25℃~85℃
 5. Company Logo
 6. Connector tolerances:

variable range	linear dimension											
	over 18 to 10	over 30 to 30	over 50 to 50	over 80 to 80	over 120 to 120	over 160 to 160	over 200 to 200	over 250 to 250	over 300 to 300	over 350 to 350		
tolerance	±0.15	±0.25	±0.35	±0.55	±0.80	±1.05	±1.30	0.5	0.025	0.06	0.12	0.4

7. Cable length tolerance:

- 01~03m: ±50mm
- 04~06m: ±75mm
- 07~10m: ±100mm
- 11~20m: ±200mm
- 21~30m: ±300mm
- 31~99m: ±500mm

5SM-M12S - XXP - MM-SLBAXX - 00AH

Coding: A,B,D,X,T

Poles

Cable length:

- 01: 01Meter
- 02: 02Meters
- 99: 99Meters

Remark: This drawing is a controlled document for Cymanu. All specifications are subject to change without prior notice.

SIZE: A4	SCALE: 4:3	CHECKED: C. LU	APPROVED: H. JIANG
UNIT: mm	SHEET: 1/1	DATE: 09/05/2021	DATE: 09/05/2021

PARA. NO.: SSM-M12S-XXP-MM-SLBAXX-00AH	TITLE: M12S female,Front Fastened Socket
CUSTOMER:	

Cymanu 囍字電子

NINBO CHANGYU ELECTRONICS MANUFACTURING CO., LTD

Email: sales@cymanu.com WWW.CYMANU.COM