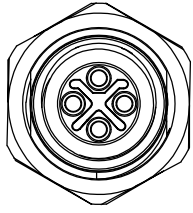
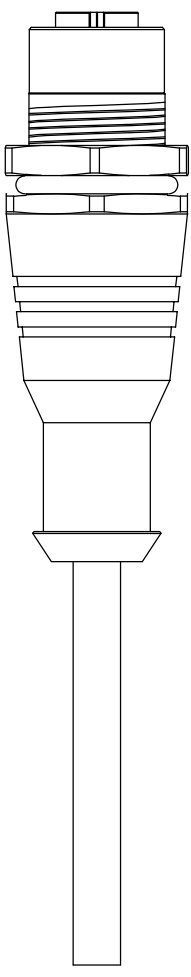
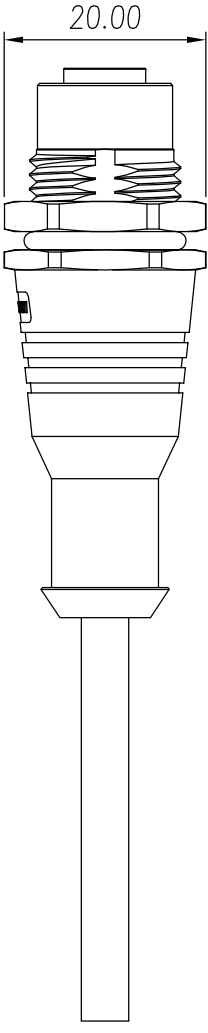
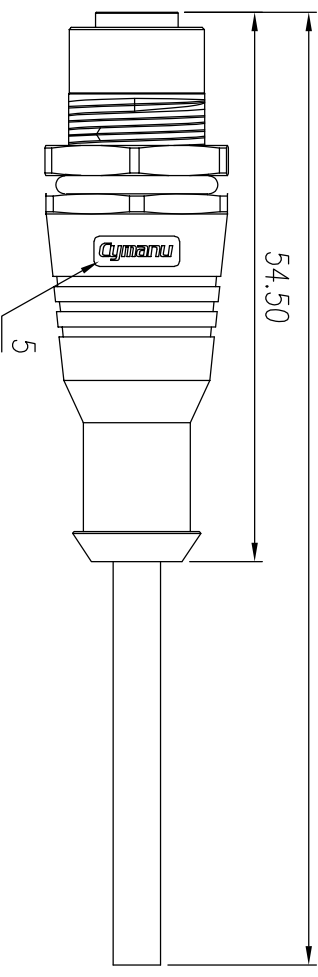


REV	ECN	SIGN	DATE	DESCRIPTION
1.0	V0	K. ZHAO	09/05/2021	

L(mm)



NOTES:

1. RoHS Compliant
2. Levels of protection: IP68
3. Cable: UL2517,PVC/PUR,Black
4. Operating temperature: -25℃~85℃
5. Company Logo
6. Connector tolerances:

linear dimension	≡		□		∥		⊥		
	over	under	over	under	over	under	over	under	
variable range	18 to 10	30 to 30	50 to 80	50 to 80	120 to 120	160 to 160	all to 5	over 5 to 30	over 30 to 120
tolerance	±0.15	±0.25	±0.35	±0.55	±0.80	±1.05	±1.30	0.5	0.025 0.06 0.12 0.4

7. Cable length tolerance:

- 01~03m: ±50mm
- 04~06m: ±75mm
- 07~10m: ±100mm
- 11~20m: ±200mm
- 21~30m: ±300mm
- 31~99m: ±500mm

5SM-M12S - XXP - FF-SLBAXX - 00AH

Coding: A,B,D,X,T

Cable length:

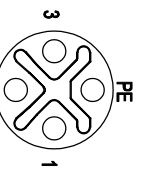
- 01: 01Meters
- 02: 02Meters

99: 99Meters

4	Yellow/Green	4	Yellow/Green
3	Black	3	Black
2		2	Black
1	Black	1	Black
PIN	WIRE	PIN	WIRE



3P



4P

Remark: This drawing is a controlled document for Cymannu. All specifications are subject to change without prior notice.

SIZE: A4	SCALE: 4:3	CHECKED: C. LU	DATE: 09/05/2021
UNIT: mm	SHEET: 1/1	APPROVED: H. JIANG	DATE: 09/05/2021

PARAM:	K. ZHAO	DATE:	09/05/2021
TITLE:	M12S female, Front Fastened Socket	PART NO.:	S5M-M12S-XXP-FF-SLBAXX-00AH
CUSTOMER:			

Cymannu 囍字電子
NINGBO CHANGTU ELECTRONICS MANUFACTURING CO., LTD
Email: sales@cymannu.com WWW.CYMANNU.COM