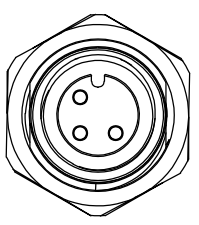
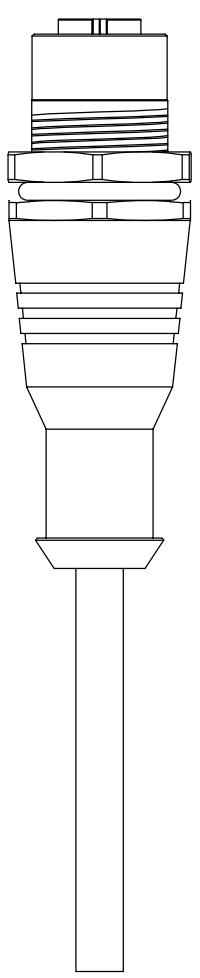
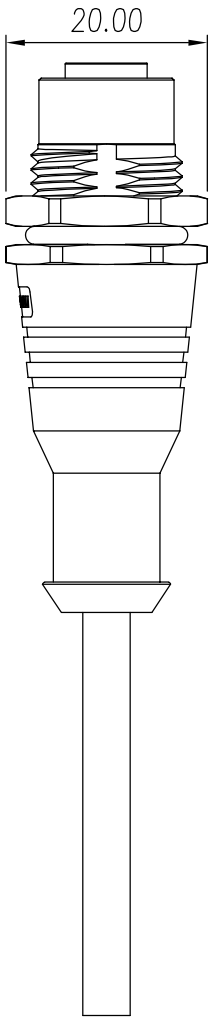
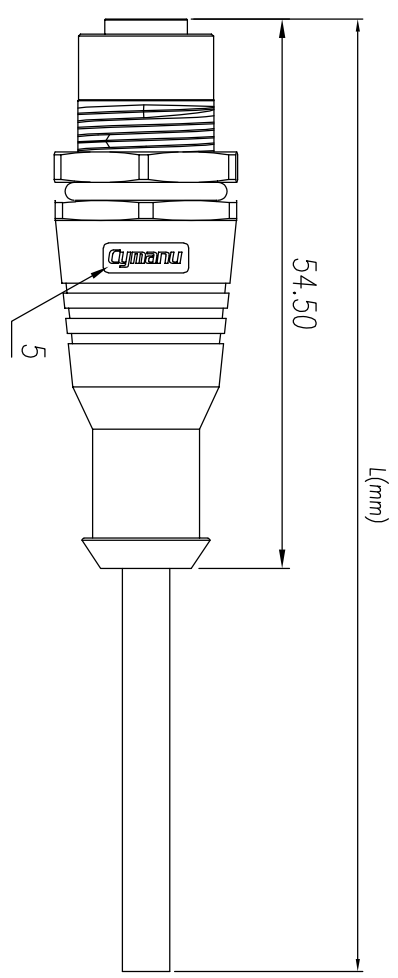


REV	ECN	SIGN	DATE	DESCRIPTION
1.0	V0	K. ZHAO	08/12/2021	

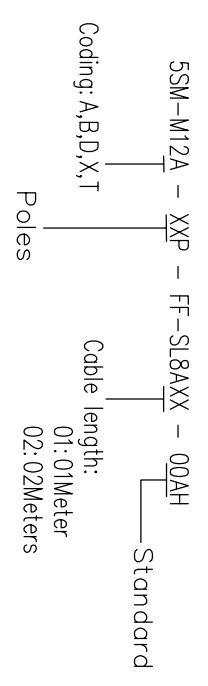


- NOTES:
1. RoHS Compliant
  2. Levels of protection: IP68
  3. Cable: UL2517,PVC/PUR,Black
  4. Operating temperature: -25℃~85℃
  5. Company Logo
  6. Connector tolerances:

linear dimension	≡		□		∥		⊥					
	over	under	over	under	over	under	over	under				
variable range	18 to 10	30 to 30	50 to 80	50 to 120	160 to 160	all	5 to 5	30 to 30	120 to 120			
tolerance	±0.15	±0.25	±0.35	±0.55	±0.80	±1.05	±1.30	0.5	0.025	0.06	0.12	0.4

7. Cable length tolerance:

- 01~03m: ±50mm
- 04~06m: ±75mm
- 07~10m: ±100mm
- 11~20m: ±200mm
- 21~30m: ±300mm
- 31~99m: ±500mm



99: 99Meters

Remark: This drawing is a controlled document for Cymannu. All specifications are subject to change without prior notice.

SIZE: A4	SCALE: 4 : 3	CHECKED: C. LU	DATE: 08/12/2021	PART NO.: SSM-M12A-XXP-FF-SL8AXX-00AH	
UNIT: mm	SHEET: 1 / 2	APPROVED: H. JIANG	DATE: 08/12/2021	TITLE: M12A female, Front Fastened Socket	

NINGBO CHANGYU ELECTRONICS MANUFACTURING CO., LTD  
 Email: sales@cymannu.com WWW.CYMANNU.COM

